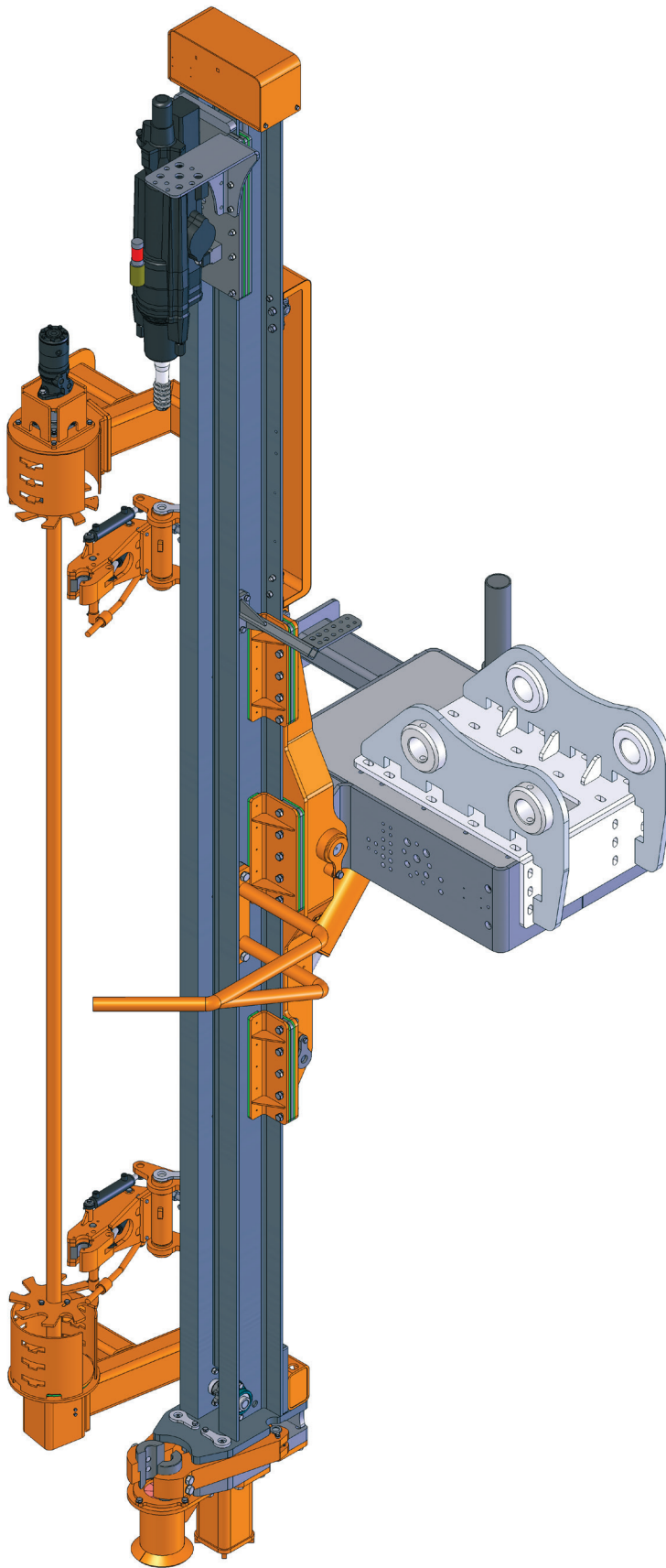


45A Drilling Attachment



Drifter

| | | |
|-------------------------------|-----|---------|
| Manufacturer | | Doofor |
| Type | | DF560S |
| Impact power | kW | 20 |
| Max input power to rock drill | kW | 33 |
| Impact energy | J | 260 |
| Hydraulic pressure, max | bar | 170 |
| Torque, max | Nm | 1170 |
| Impact frequency | Hz | 55 - 67 |

Dimensions and weights

| | | |
|--------|----|---------------------|
| Weight | kg | 2600 (w/o coupling) |
| Length | mm | 6200 |
| Width | mm | 2500 + 200 |
| Height | mm | 1600 (w/o coupling) |

Drill Steel

| | | |
|-------------|----|-------------|
| Hole range | mm | 51 – 89 |
| Drill steel | | R32/T38/T45 |

Dust collector

| | | |
|---------------------------------|----------------|--------|
| Model | | HSL900 |
| Filter area | m ² | 14,4 |
| Number of filter elements | pcs | 12 |
| Suction capacity (max. nominal) | l/s | 800 |
| Suction hose diam | mm | 127 |
| Cleaning air pressure, max | bar | 7 |
| Cleaning air consumption | l/pulse | 40 |

Compressor

| | | |
|------------------|-----|-------|
| Type | | Screw |
| Model | | PTR60 |
| Capacity | lpm | 6000 |
| Working pressure | bar | 7 |

Feed system

| | | |
|--------------------|----|------|
| Feed extension | mm | 1000 |
| Feed force, max | kN | 19 |
| Tractive pull, max | kN | 19 |
| Total length | mm | 6100 |
| Travel length | mm | 4270 |

AutoDrill drilling automatic system

| | |
|--------------------------------------|----------|
| Pressure adjustments during drilling | standard |
| X / Y angles with lights and numbers | standard |
| Penetration rate | standard |
| Hole depth | standard |
| Stop depth form surface | standard |
| Stop depth from laser level | option |
| Reading of hydraulic oil temperature | standard |

Accessories

| | |
|---|--------|
| Boom camera | option |
| Laser receiver | option |
| Central lubrication system | option |
| Extra mounting kit for additional excavator | option |
| GPS system | option |

Hydraulic system

| | |
|--------------|---|
| Controls | AutoDrill automatic drilling with CAN-control from excavator cabin |
| Anti-jamming | Anti-jamming integrated in AutoDrill automatic drilling in all models |
| Oil cooling | Cooler for compressor motor return flow is available |

Carrier requirements

| | | |
|------------------------------------|--------------|-----------|
| Weight | tn | 24 - 40 |
| Flow / pressure for drilling | LPM @ Bar | 230 @ 150 |
| Flow / pressure for compressor | LPM @ Bar | 145 @ 150 |
| Flow / pressure for dust collector | LPM @ Bar | 50 @ 150 |
| Total flow / pressure; min | LPM @ Bar | 290 @ 150 |
| Total flow / pressure; max | LPM @ Bar | 425 @ 150 |
| Power requirement for engine | kW (min/max) | 95 /135 |